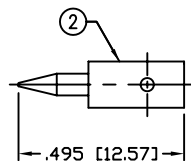
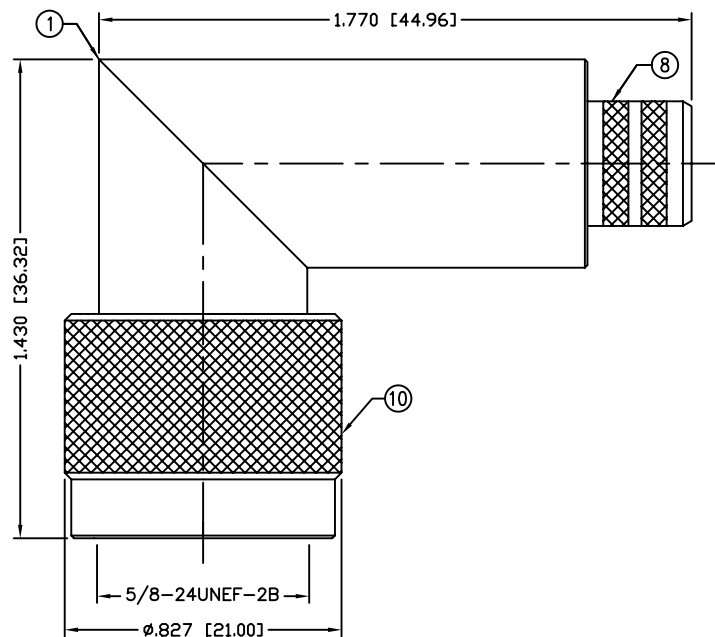


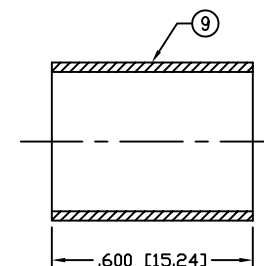
PART NO.

**RFN-1009-3E**

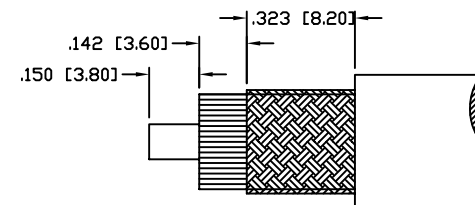
REV	DESCRIPTION	DWN	DATE	APPROVED
-	ENGINEERING RELEASE	CZS	07/22/08	JDMc



RECOMMENDED CRIMP DIE: .118"



RECOMMENDED CRIMP DIE: .429"



RECOMMENDED STRIPPING INSTRUCTIONS

SPECIFICATIONS:

IMPEDANCE: 50 Ohms

FREQUENCY RANGE: 0-11 GHz

WORKING VOLTAGE: 1k V rms @ sea level

TEMPERATURE RANGE: -65°C TO 85°C

INSULATION RESISTANCE: 5k M Ohms min.

FOR RG-8, 8A, 213/U, ALPHA 9008, 9213, BELDEN 8267, 9251,

9880, 89880, INTERCOMP 4085, 22132, TIMES AA-4478

12	GASKET	1	SILICONE	---
11	RETAINING	1	BRASS	SILVER, 80 μ"
10	SHELL	1	BRASS	SILVER, 80 μ"
9	FERRULE	1	BRASS	SILVER, 80 μ"
8	FERRULE STUD	1	BRASS	SILVER, 80 μ"
7	GROUND RING	1	BRASS	SILVER, 80 μ"
6	INSULATOR	1	PTFE	---
5	INSULATOR	1	PTFE	---
4	PIN	1	BRASS	GOLD, 3 μ"
3	PIN	1	BRASS	GOLD, 3 μ"
2	PIN	1	BRASS	GOLD, 3 μ"
1	BODY	1	BRASS	SILVER, 80 μ"

#	DESCRIPTION	QTY	MATERIAL	FINISH
---	-------------	-----	----------	--------

CUSTOMER  
OUTLINE DRAWINGALL DIMENSIONS  
ARE REFERENCE ONLYUNLESS OTHERWISE SPECIFIED:  
DIMENSIONS ARE IN INCHES  
AND [MILLIMETERS]DRAWN  
JDM 2/17/10

CHECKED

ORJ DRAWN  
C. ZUNIGA 07/22/08**RoHS  
COMPLIANT**

PROPRIETARY AND CONFIDENTIAL  
THIS DRAWING CONTAINS  
INFORMATION PROPRIETARY TO  
RF INDUSTRIES. ANY  
UNAUTHORIZED USE OF THIS  
DRAWING IS EXPRESSLY  
PROHIBITED WITHOUT WRITTEN  
PERMISSION FROM RF  
INDUSTRIES. ANY VIOLATION IS  
PUNISHABLE UNDER U.S.  
COPYRIGHT LAWS.

**RFconnectors**7610 MIRAMAR RD.  
SAN DIEGO, CA 92126  
(858) 549-6340  
DIVISION OF RF INDUSTRIES, LTD. (858) 549-6345 FAX**N PLUG, CRIMP**  
RIGHT ANGLE

SIZE	CABLE GROUP	DWG NO.	REV
A	E	<b>RFN-1009-3E</b>	---
SCALE: NTS	ENGINEERING ID: 000494	SHEET 1 OF 1	